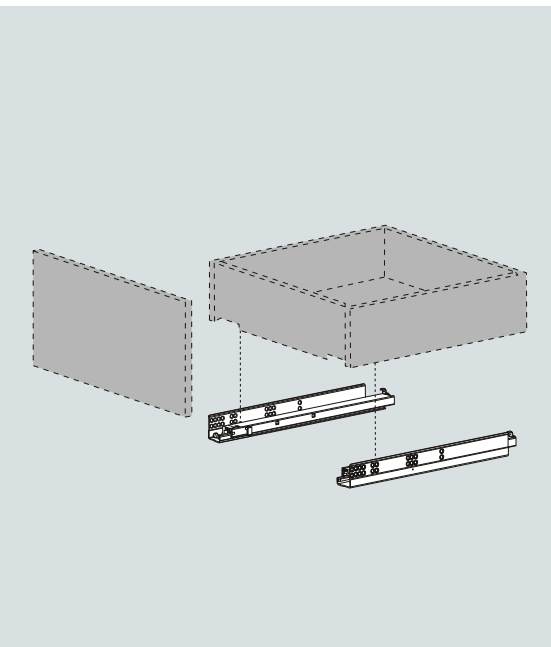
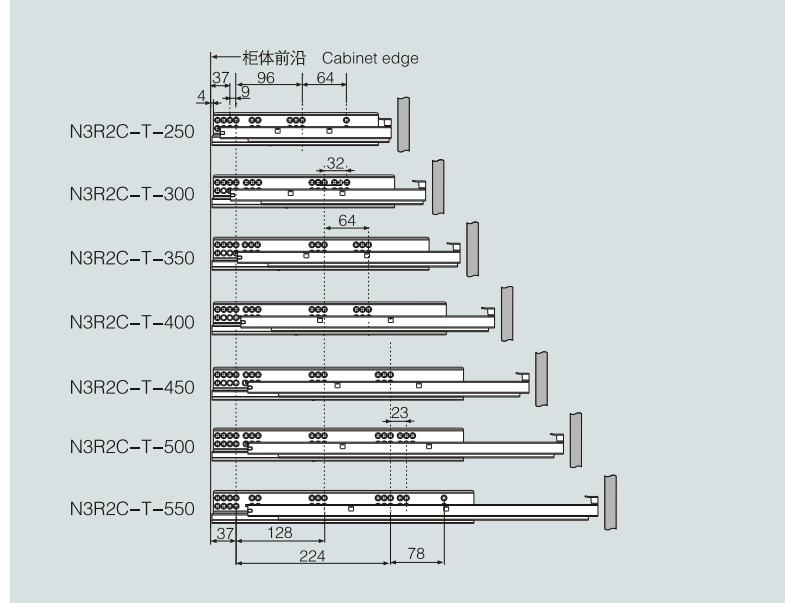


- 隐藏式、全拉出、反弹式
- 载重: 35kg
- 材料: 镀锌板
- 材料厚度(上、中、下)轨: 1.0x1.5x1.8mm
- 无需工具, 抽屉可快速安装与拆卸
- 抽屉高度可调节0-4mm
- **2mm的反弹触发空间,任意位置按压抽屉即可开启、关闭**

- Push-open concealed full extension slide
- Dynamic load capacity: 35kg
- Material: galvanized steel
- Material thickness: 1.0x1.5x1.8mm
- Tool-free quick installation
- Drawer height adjustable for 0-4mm
- **2mm space required for the push to open, Press the drawer in any position to open and close it**

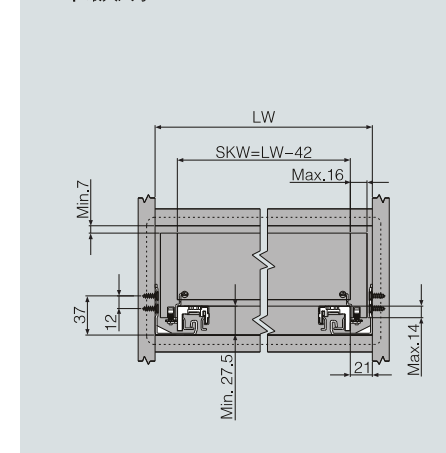
**柜体滑轨安装孔尺寸 Hole pattern**



产品型号 Item No.	标称长度NL (mm) Nominal length	拉出长度 (mm) Travel length	最小柜深LT (mm) (外抽 / 内抽) Min cabinet depth (Standard / Inner)	包装 (套/箱) Packing (Set/Box)
N3R2C-T-250	250	229	260 / 260+X	10
N3R2C-T-300	300	279	310 / 310+X	10
N3R2C-T-350	350	329	360 / 360+X	10
N3R2C-T-400	400	379	410 / 410+X	10
N3R2C-T-450	450	429	460 / 460+X	10
N3R2C-T-500	500	479	510 / 510+X	10
N3R2C-T-550	550	529	560 / 560+X	10

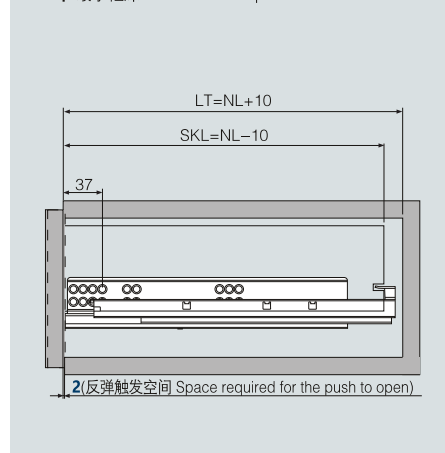
**柜体所需空间 Space required**

SKW: 抽屉净宽 Drawer width  
 LW: 柜体净宽 Inside net width  
 Max.: 最大尺寸



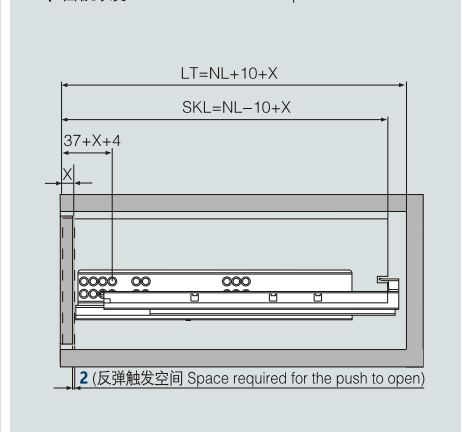
**外置抽屉 Standard drawer**

NL: 标称长度 Nominal length  
 SKL: 抽屉长度 Length of drawer  
 LT: 最小柜深 Min cabinet depth



**内置抽屉 Inner drawer**

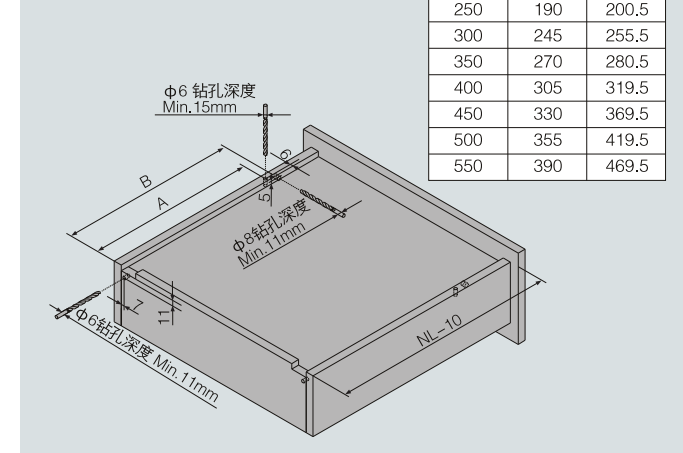
NL: 标称长度 Nominal length  
 SKL: 抽屉长度 Length of drawer  
 LT: 最小柜深 Min cabinet depth  
 X: 面板厚度 Thickness of the front panel



**抽屉后板开槽打孔尺寸 Hole size on rear panel of the drawer**

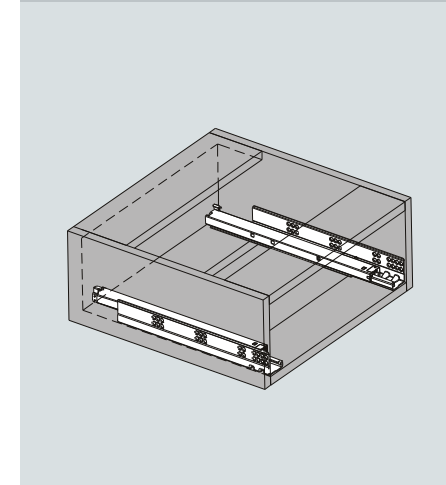
NL: 标称长度 Nominal length  
 Min.: 最小尺寸

NL (mm)	A (mm)	B (mm)
250	190	200,5
300	245	255,5
350	270	280,5
400	305	319,5
450	330	369,5
500	355	419,5
550	390	469,5

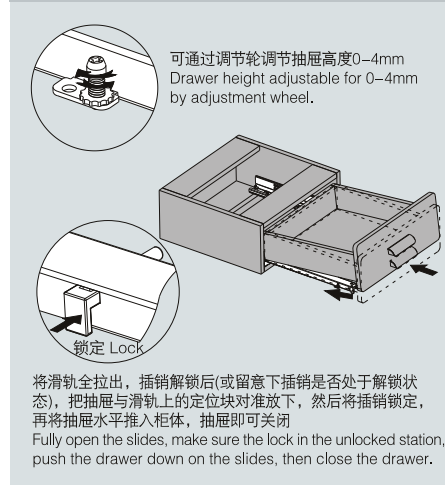


**装卸调试步骤说明 Installation instruction**

**滑轨安装 Installation of the slides**



**抽屉安装与调节 Installation of the drawer and adjustment**



**抽屉拆卸 Removal of the drawer**

