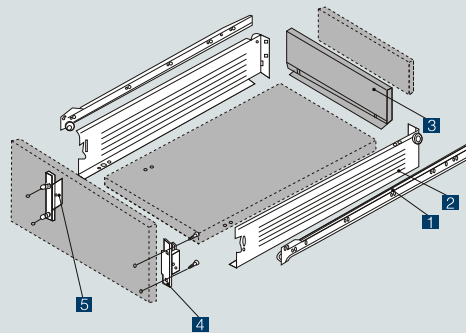




- 金属侧板+活动滑(左+右)使得快速安装及减低费用
- 前支架带2方位调节
- 颜色: 白色、杏色、啡色、黑色、灰色
- 厚度: 1.2mm
- H=86mm H=118mm H=150mm 高度可供选择
- Metal panels+Cabinet Profiles (Left+Right) present quick-fix and cost less.
- Front brackets with 2 way adjustment.
- Epoxy coated in white, almond, brown, black, grey
- Thickness: 1.2mm
- H=86mm H=118mm H=150mm, Available height

滑轨安装尺寸 Installation size



- 1.Cabinet Member
- 2.Metal Drawer Panel
- 3.Rear Panel
- 4.Bracket
- 5.Bracket

滑轨安装孔尺寸 Hole pattern

